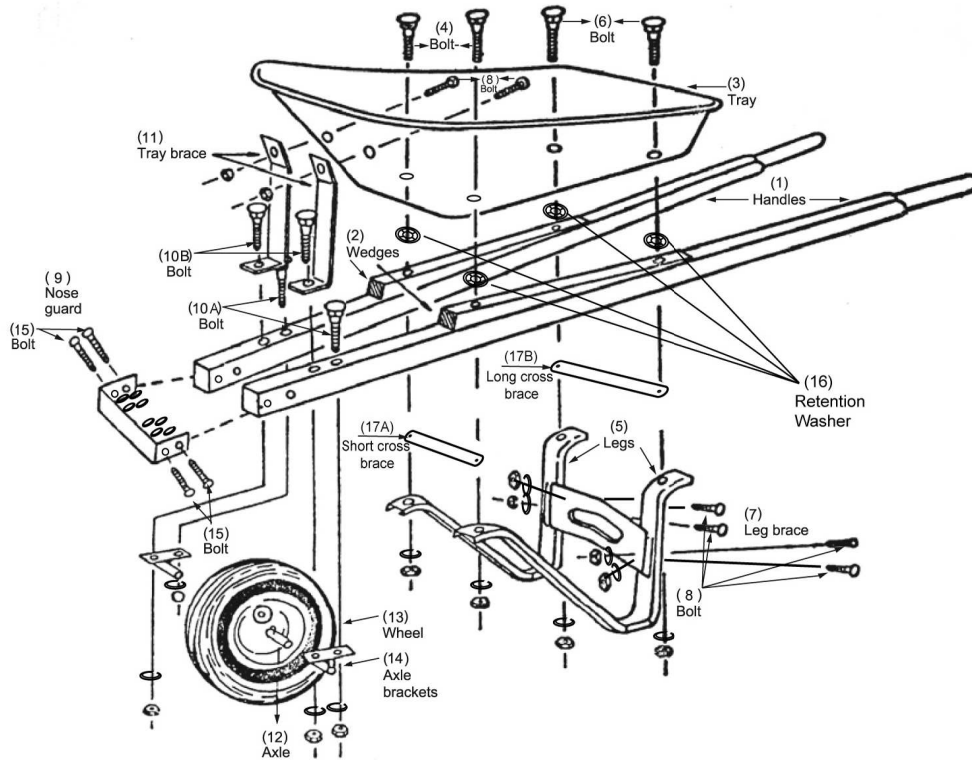


6 CUFT WHEELBARROW



READ ALL INSTRUCTIONS BEFORE PROCEEDING WITH ASSEMBLY

- A. Be sure that all parts shown on the drawing are in the package.
- B. Assembly requires a few hand tools: a screwdriver, box or open wrench to secure the nuts.
- C. DO NOT tighten nuts until entire wheelbarrow has been assembled.
- D. Set the tray (3) on it's side, insert 5/16" x 4-7/8" (4) through the two front holes, then slide retention washers (16) all the way onto both bolts so they stay in place.
- E. Repeat step D using 5/16" x 3-1/16" bolts (6), inserting them through the two back holes, then slide retention washers (16) all the way onto both bolts so they stay in place.
- F. Lay the tray down on it's top so that bolts are pointing up.
- G. Position wedges (2) properly and slide onto bolts.
- H. Position handles (1) properly and slide onto bolts.
- I. Position the short cross brace (17A) and the long cross brace (17B) properly and slide onto bolts.
- J. Position legs (5) properly and slide onto bolts, then secure parts by putting flats washers, lock washers, and nuts on the bolts.
- K. Attach the leg brace (7) to the legs using 5/16" x 11/16" bolts (8), lock washers, flat washers, and nuts.
- L. Bolt nose guard (9) to the outsides of the front of the handles using 5/16" x 1-7/8" bolts (15), flat washers, lock washers, and nuts.
- M. Bolt tray braces (11) to the front of the tray using 5/16" x 11/16" bolts (8), flat washers, lock washers, and nuts.
- N. Insert axle (12) through wheel (13). Slide the axle brackets (14) onto the correct ends of the axle so they are angled in line with the handles. Bolt the axle brackets to the bottom of the handles which are now facing up. Use bolts (10B) in the two front holes to also bolt the tray braces in position to the handles, use bolts (10A) in the two back holes, all with flat washers, lock washers, and nuts.

PARTS LIST:

#	Parts Name	Q'TY
(1)	Handles	2pc
(2)	Wood Wedges	2pc
(3)	Tray	1pc
(4)	Bolt 5/16" x 4-7/8", flat washer, lock washer, and nut.	2 sets
(5)	Legs	2pc
(6)	Bolt 5/16" x 3-1/16", flat washer, lock washer, and nut.	2 sets
(7)	Leg brace	1pc
(8)	Bolt 5/16" x 11/16", flat washer, lock washer, and nut.	6 sets
(9)	Nose guard	1pc
(10)	10A Bolt 5/16" x 2-5/16", flat washer, lock washer, and nut. 10B Bolt 5/16" x 2-1/2", flat washer, lock washer, and nut.	2 sets 2 sets
(11)	Tray brace	2pc
(12)	Axle	1pc
(13)	Wheel	1pc
(14)	Axle brackets	2pc
(15)	Bolt 5/16" x 1-7/8", flat washer, lock washer, and nut.	4 sets
(16)	Retention washer	4pc
(17)	17A Short cross brace 17B Long cross brace	2pc